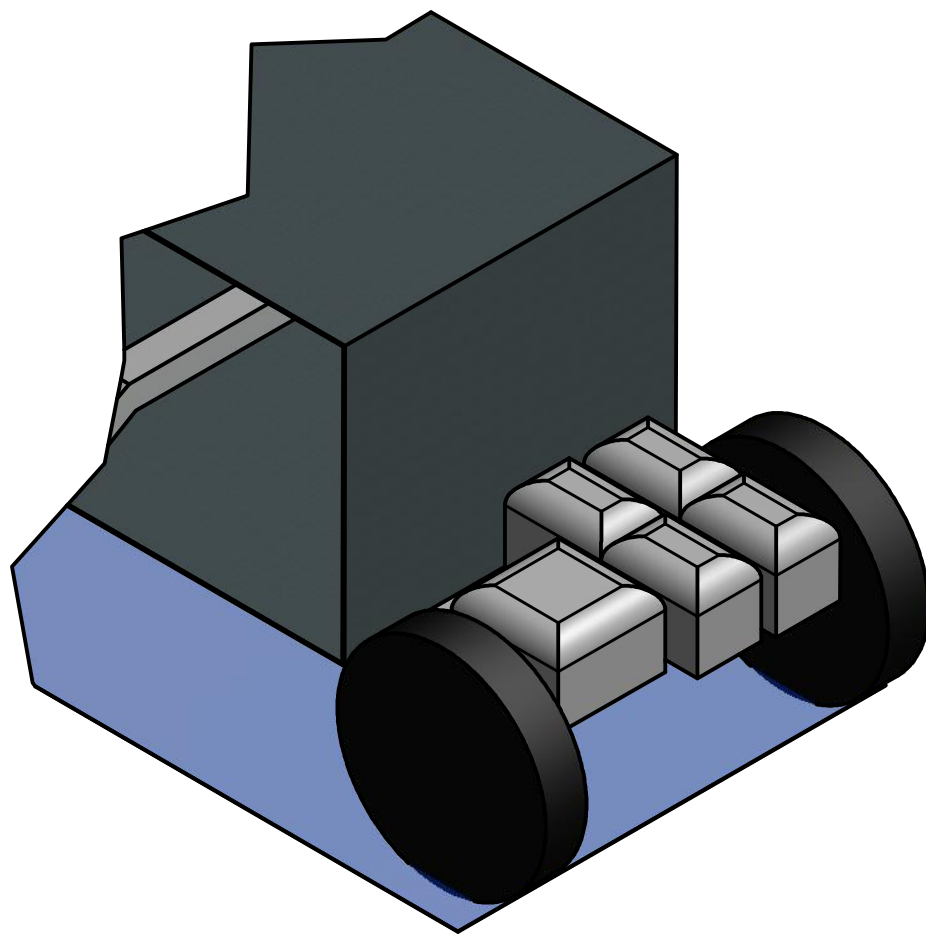


DETAIL B
SCALE 1 / 50



DETAIL A
SCALE 1 / 50

| | | | | |
|------------------|-----------|-----------|-----------------------------|-----|
| DRAWN geerard | 28-2-2013 | | | |
| CHECKED | | TITLE | | |
| QA | | | | |
| MFG | | | | |
| APPROVED | | | | |
| | | SIZE C | DWG NO bloemkool oogster | REV |
| | | SCALE | SHEET 1 OF 1 | |